

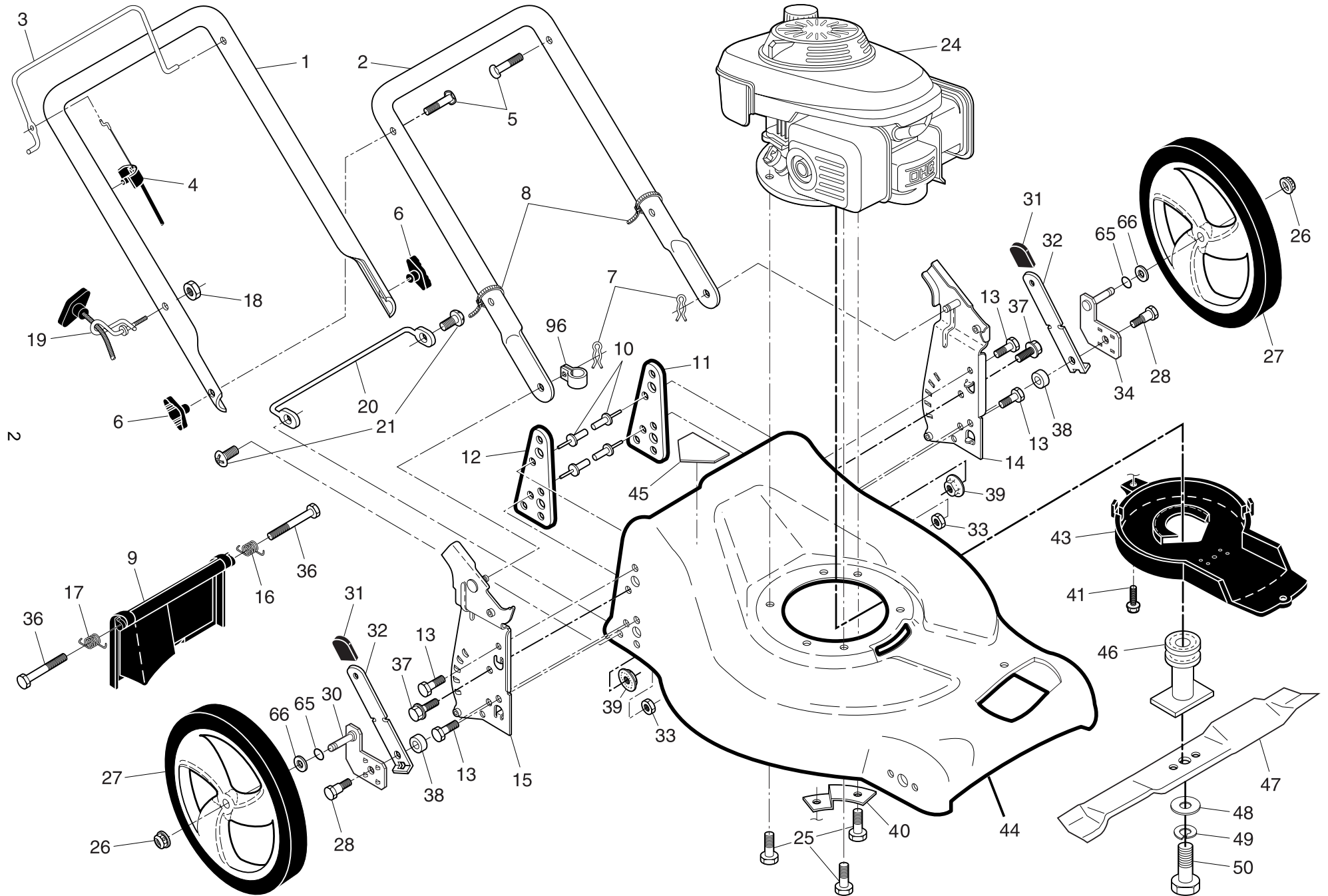
ILLUSTRATED PARTS LIST

MODEL NO. M55H53HW

PRODUCT NUMBER 961 41 01-22

MFG. ID. NUMBER 96141012201

ROTARY LAWN MOWER - - MODEL NUMBER M55H53HW (96141012201) PRODUCT NUMBER 961 41 01-22

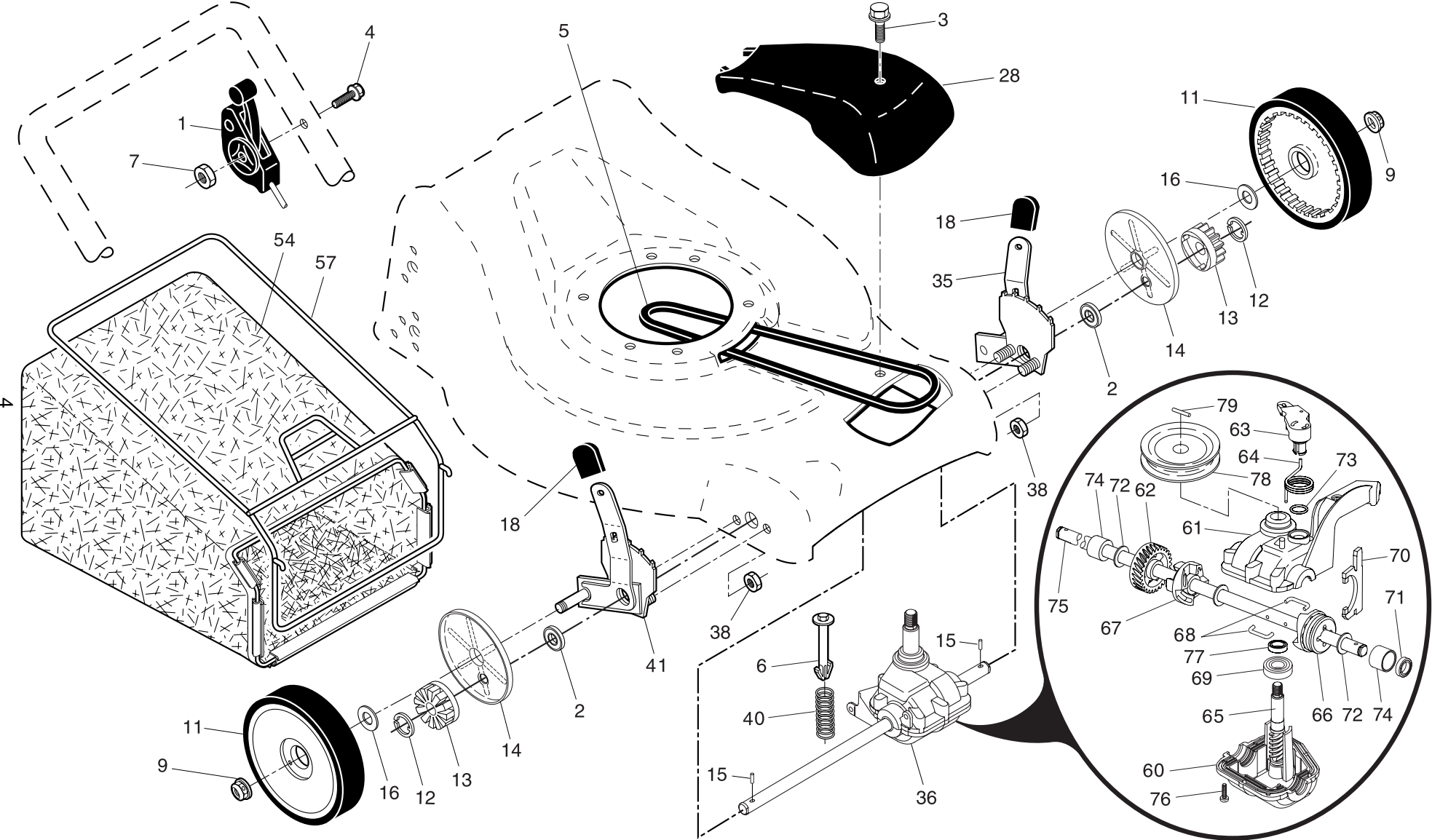


ROTARY LAWN MOWER - - MODEL NUMBER M55H53HW (96141012201) PRODUCT NUMBER 961 41 01-22

KEY NO.	PART NO.	DESCRIPTION	KEY NO.	PART NO.	DESCRIPTION
1	532 19 25-17	Upper Handle	28	532 16 08-28	Shoulder Bolt 5/16-18 x .33
2	532 15 36-05	Lower Handle	30	532 40 25-71	Axle Arm Assembly, Rear, RH
3	532 14 67-71	Control Bar	31	532 08 78-77	Selector Knob
4	532 18 35-67	Engine Zone Control Cable	32	532 19 01-57	Selector Spring
5	532 19 15-74	Handle Bolt	33	873 80 05-00	Locknut, Hex
6	532 19 19-38	Handle Knob	34	532 40 25-72	Axle Arm Assembly, Rear, LH
7	532 05 17-93	Hairpin Cotter	36	532 18 41-93	Bolt
8	532 06 64-26	Wire Tie	37	874 78 05-12	Thread Cutting Screw w/Sems 5/16-18 x 3/4
9	532 40 69-85	Rear Door Assembly	38	819 11 22-06	Spacer
10	532 12 84-15	Pop Rivet	39	532 19 85-41	Locknut, Hex 5/16-18
11	532 41 05-40	Support Bracket, LH	40	532 19 09-39	Mounting Bracket, Debris Shield
12	532 41 05-42	Support Bracket, RH	41	532 19 23-25	Screw
13	817 06 04-10	Screw 1/4-20 x 5/8	43	532 40 58-45	Debris Shield
14	532 18 25-43	Handle Bracket Assembly, LH	44	532 40 93-64	Lawn Mower Housing (Includes Key Numbers 10, 11, 12 and 45)
15	532 18 25-45	Handle Bracket Assembly, RH	45	532 18 21-66	Danger Decal
16	532 40 54-17	Spring, Rear Door, LH	46	532 40 46-33	Blade Adapter / Pulley
17	532 40 54-18	Spring, Rear Door, RH	47	532 19 93-77	Blade, 21"
18	532 13 20-04	Keys Locknut 1/4-20	48	532 85 10-74	Hardened Washer
19	532 19 47-88	Rope Guide	49	532 85 02-63	Helical Washer 3/8-24 x 1-3/8 Grade 8
20	532 41 35-43	Foot Guard, C.E.	50	532 85 10-84	Hex Head Machine Screw 3/8-24 x 1-3/8 Grade 8
21	817 49 04-16	Screw, Tapping 1/4-20 x 1/2	65	532 19 74-80	O-Ring
24	- - -	Engine, Honda, Model Number GCV160 (order parts from engine manufacturer)	66	532 08 83-48	Washer, Flat 3/8
25	532 15 04-06	Screw, Hex Head, Threaded, Rolled 3/8-16 x 1-1/8	96	532 19 79-91	Clip, Cable
26	532 40 91-49	Nut, Hex, Flanged	- -	532 18 21-34	Decal, Self-Propelled, Internal (not shown)
27	532 40 29-35	Wheel & Tire Assembly, Rear, 12"	- -	532 40 33-98	Operator's Manual, European

NOTE: All component dimensions given in U.S. inches. 1 inch = 25.4 mm. **IMPORTANT:** Use only Original Equipment Manufacturer (O.E.M.) replacement parts. Failure to do so could be hazardous, damage your lawn mower and void your warranty.

ROTARY LAWN MOWER - - MODEL NUMBER M55H53HW (96141012201) PRODUCT NUMBER 961 41 01-22



ROTARY LAWN MOWER - - MODEL NUMBER M55H53HW (96141012201) PRODUCT NUMBER 961 41 01-22

KEY NO.	PART NO.	DESCRIPTION	KEY NO.	PART NO.	DESCRIPTION
1	532 18 45-88	Control Cable Assembly	54	532 19 52-13	Grassbag Assembly
2	532 19 10-39	Bearing, Wheel Adjuster	57	532 40 18-02	Frame, Grassbag
3	532 17 52-62	Pan Head Tapping Screw #10-24 x 2-3/4	60	532 18 34-97	Case, Lower
4	532 15 87-55	Hex Washer Head Screw 1/4-20 x 2.12	61	532 18 34-98	Case, Upper
5	532 17 54-36	V-Belt	62	532 18 34-99	Gear, 27 Teeth
6	532 15 04-95	Spring Retainer	63	532 18 35-00	Lever, Clutch
7	532 19 17-30	Locknut, Hex #10-24	64	532 18 35-01	Spring, Return
9	532 40 91-48	Locknut, Hex	65	532 18 35-02	Shaft, Input
11	532 40 29-36	Wheel & Tire Assembly, Front, 8"	66	532 18 35-03	Dog, Movable
12	812 00 00-58	E-Ring	67	532 18 35-04	Dog, Fixed
13	532 40 38-49	Pinion	68	532 18 35-05	Wire, Formed
14	532 18 94-03	Dust Cover	69	532 18 35-06	Bearing, Ball
15	532 40 48-45	Pawl, Drive	70	532 18 35-07	Fork, Shift
16	532 06 77-25	Washer 1/2 x 1-1/2 x .134	71	532 18 35-08	Seal, Output Shaft
18	532 08 78-77	Selector Knob	72	532 18 35-09	Washer
28	532 18 14-67	Drive Cover	73	532 18 35-10	Seal, Case
35	532 40 90-97	Kit, Wheel Adjuster, LH (Includes Knob and Bearing)	74	532 18 35-11	Bushing
36	532 19 92-05	Gear Case Assembly, Complete	75	532 19 66-13	Shaft, Output
38	873 80 04-00	Locknut, Hex 1/4-20	76	532 18 35-13	Screw
40	532 13 70-90	Spring	77	532 18 35-14	Seal, Input Shaft
41	532 40 90-98	Kit, Wheel Adjuster, RH (Includes Knob and Bearing)	78	532 19 98-52	Pulley, Drive
			79	532 19 94-19	Pin, Retainer

* Use Dow Corning #709 to reseal Gear Case Halves.

NOTE: All component dimensions given in U.S. inches. 1 inch = 25.4 mm. **IMPORTANT:** Use only Original Equipment Manufacturer (O.E.M.) replacement parts. Failure to do so could be hazardous, damage your lawn mower and void your warranty.